

SPECTRE

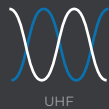
VEHICLE IDENTIFICATION - AVI

SCALABLE LONG RANGE READER



BENEFITS

- Smooth & secure parking access control
- Multi-lane long-distance identification
- Optimised installation costs
- Backward compatible & interoperable



- Add Your Logo
- Casing colors
- Skin effect personalization

Accept the challenge of fast-track security at your vehicle gates.

No more queues thanks to the SPECTRE UHF identification reader! It combines dynamic, elegant design with the latest technologies for security and scalability.

SMOOTH AND SECURE VEHICLE ACCESS CONTROL

The SPECTRE reader rewrites the rules of security, making it more instinctive.

It offers top level security by enabling you to sign your UHF credentials, while using encryption methods that are recognized and recommended by independent specialized bodies in information security (ANSSI).

The identification performance - up to 14 m / 45.9 ft* - offers exceptional reading convenience and reliability for smooth vehicle access.

SIMPLIFIED SCALABLE INSTALLATION

Up to 4 antennas can be connected to the SPECTRE reader to cover all security issues and all configurations: management of a mixed fleet of vehicles (light, heavy, motorcycles, etc.), identification on wide lanes or even distinct access control for 4 lanes of vehicles.

Your reader is configured in few seconds via USB/micro USB cable or UHF card. Its QuickSet mounting system is compatible with the VESA 75 x 75 standard and enables optimal installation, regardless of site configuration.

GREEN CONCEPTION

Its green design means that SPECTRE reads fully passive credentials (no batteries). The reader can be operated by a ground loop or a presence sensor.

STANDING THE TEST OF THE TIME

The SPECTRE is the most robust on the market, with an enhanced vandal-proof structure IK10 certified to withstand knocks and malicious acts.

It is IP66 and designed for outdoor installation in harsh environments: vibration, dust, heavy rain, sea air, etc.

BETTER BY DESIGN

The strong lines and elegant style give the SPECTRE reader an extremely stealthy character to enhance your car park solutions. Its slimline design and lightness blend perfectly into all your installation environments.

The high-intensity LED, visible by day and night, makes it highly user-friendly.



◀ SPECTRE VIDEO

DESIGNED & MADE IN FRANCE

WE'VE GOT YOUR BACK



See the legal notices on the back.

SPECIFICATIONS

Operating frequency/standards	UHF - 2 versions: - 865 - 868 MHz: 866 MHz ETSI (Europe), Morocco (n°ANRT/DG/n°7-10 regulation), etc. - 902 - 928 MHz: 915 MHz FCC Part 15 (USA), Australia, New Zealand, etc.
Chip compatibility	EPC1 Gen 2 / ISO18000-63
Functions	Read only signed EPC / Read Write
Antenna(s)	1 to 4 antenna(s) Several possible configurations: - 1 integrated antenna + up to 3 external antennas - up to 4 external antennas
Reading distances*	Up to 14 m / 45.9 ft with ETA tag and TeleTag® passive tag <i>The reading distance may vary depending on the type of vehicle, installation conditions and local regulations allowed. A national regulatory restriction that only allows 500mW ERP (e.g. Morocco - regulation n°ANRT/DG/n°7-10) gives performances up to 3m.</i>
Communication interfaces	- TTL: protocol ISO2 (Data Clock) or Wiegand - RS232 with communication protocol SSCP® - RS485 with communication protocols SSCP®, OSDPT™ V1 (plain communication) & V2 (SCP secure communication)
Inputs / Outputs (I/O)	4 inputs (to manage the reader activation, ground loop, presence sensor...) / 4 outputs (to external traffic lights control...)
Light indicator	LED 7 colors (green, red, blue, orange, purple, turquoise, white) - OSDPT™ 4 colors (green, red, blue, orange)
Power requirement	Typ. 1 A / 12 VDC
Power supply	9 VDC to 36 VDC (12 VDC typical)
Material	Antenna: ABS and polycarbonate (ABS-PC) / Reader: aluminum
Dimensions (h x w x d) / Weight	348.7 x 279.2 x 45.1/83.6 mm / 13.7" x 11" x 1.8"/3.3" (general tolerance following ISO NFT 58-000 standard) - 2.65 kg / 93.5 oz
Operating temperatures	- 25°C to + 60°C / - 13°F to + 140°F - Indoor / outdoor - Humidity: 5 - 95 %
Resistance	IP66 - Weather-resistant with waterproof electronics / Reinforced vandal-proof structure IK10
Mounting	- Adjustable wall-mounting kit - Pole-mounted Compliant with VESA 75 x 75 universal mounting kits (optional)
Compliant cables	TNC Reverse coaxial cables (optional) - 1.5, 3, 9 and 12 m / 4.9, 9.8, 29.5 and 39.4 ft to connect antennas - Cables can be connected in series
Certifications	CE, FCC & UL
Part numbers x: versions = 4 - 865 - 868 MHz; 5 - 902 - 928 MHz	Reader version with integrated antenna: Read only TTL SLA-Rx1-A/U04-xx/1 Read only RS232 SLA-Rx2-A/U04-5AB/1 Read only RS485 SLA-Rx3-A/U04-7AB/1 Read write SSCP® RS232 SLA-Wx2-A/U04-5AA/1 Read write SSCP® RS485 SLA-Wx3-A/U04-7AA/1 Read write OSDPT™ RS485 SLA-Wx3-A/U04-7OS/1 <i>Morocco versions: add an M at the end of the reference.</i> Antenna version: 865 - 868 MHz ANT-SPECTRE-A 902 - 928 MHz ANT-SPECTRE-B

DISCOVER OUR COMPATIBLE TAG RANGE

For more security and user comfort, a wide range of services and options is available: windscreen mounting kit for TeleTag®, serigraphy, sequential or physical printing, self-destructible label...

TeleTag® has been designed to be installed especially behind the windscreen. Thanks to its smart mounting system, it can be installed either permanently or in a removable way.



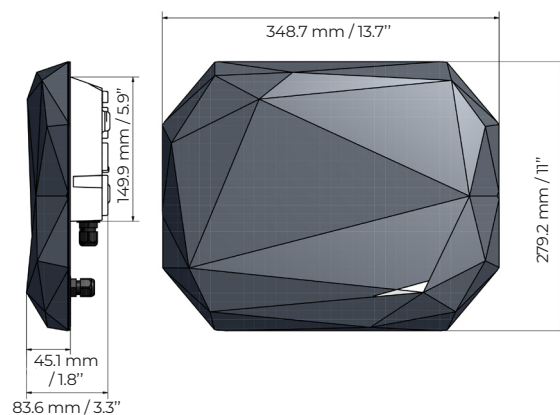
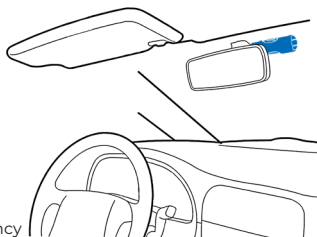
TeleTag®
Windscreen tag



ETA
Windscreen label



CCT
UHF or dual frequency cards



* Caution: Information on communication distances: measured at the center of the antenna, depending on vehicle positioning, antenna configuration, reader installation environment, power supply voltage and local regulations allowed. External disturbances may cause reading distances to be reduced. Reading performance depends on the positioning of the tag and the type of windshield. Athermal windscreens may affect reading performance. It is imperative to place the tag in the saving zones.

Legal statements: STid is a trademark of STid SAS. All other trademarks are property of their respective owners.

This document is the exclusive property of STid. STid reserves the right to stop any product or service for any reason and without any liability - Noncontractual photographs.

Headquarters / EMEA

13850 Créasque, France
Tel.: +33 (0)4 42 12 60 60

PARIS-IDF Office

92290 Châtenay-Malabry, France
Tel.: +33 (0)1 43 50 11 43

STid UK Ltd.

Callows Hill, Warwick CV34 6UW, UK
Tel.: +44 (0) 192 621 7884

NORTH AMERICA Office

Irving, Texas 75063-2670, USA
Tel.: +1 469 524 3442

LATINO AMERICA Office

San Rafael 06470 CDMX, México
Tel.: +521 (55) 5256 4706